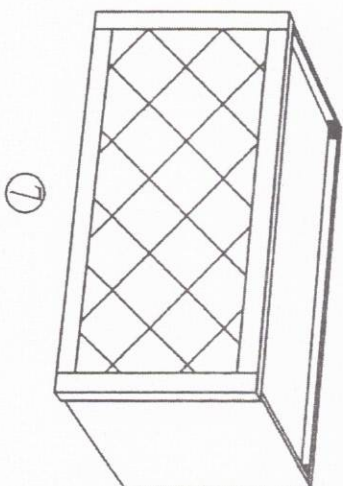
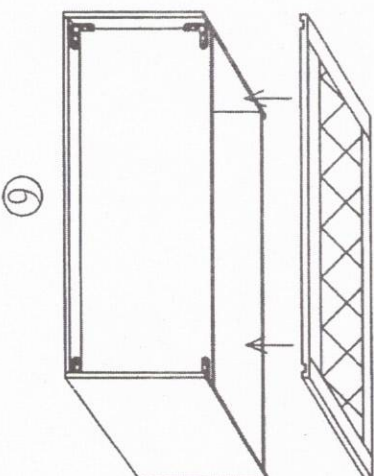
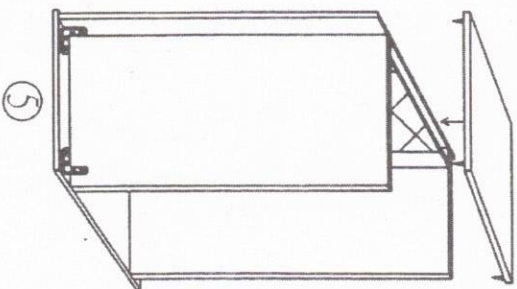
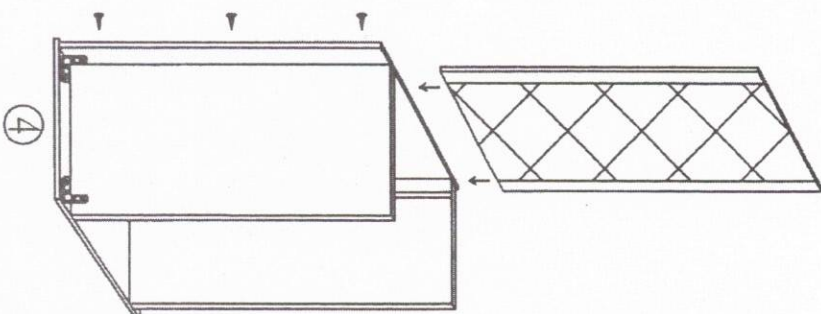
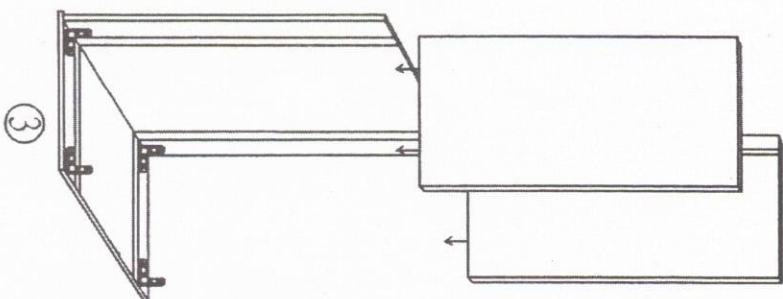
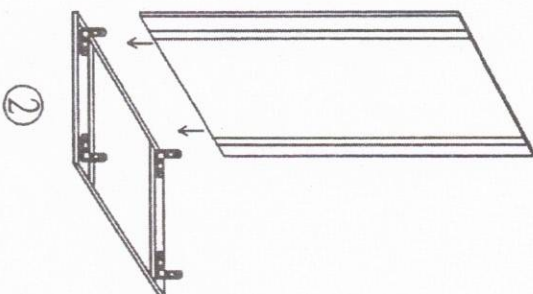
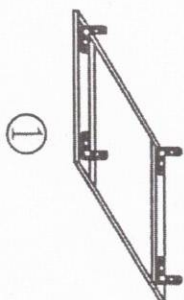


WRC3015
WRC3615

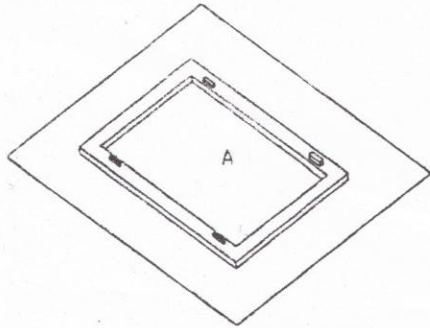


ASSEMBLY INSTRUCTIONS

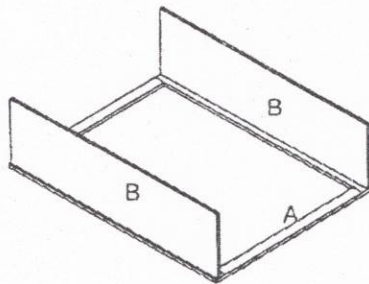
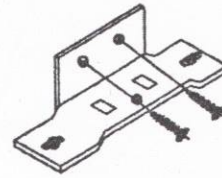
KITCHEN WALL CABINETS.

PARTS LIST

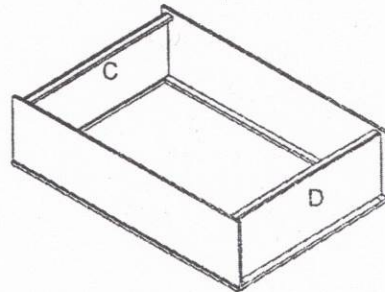
A - Door & Faceframe (1) B - Side Panel's (2) C - Top (1) D - Bottom (1) E - Back Panel (1)
 F - Shelves (2) No shelf for items W2415, W3015, W3018, W3315, W3615. One shelf for items W2424, W3024, W3624. Three shelf for 42" high wall cabinet
 I - Hardware Box (1): Shelf Clips - 4(WM274212); $\Phi 3 \times 12$ Screw - 16/24, $\Phi 3.5 \times 20$ Screw - 4



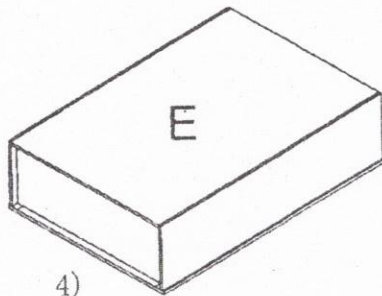
1) SOFT SURFACE



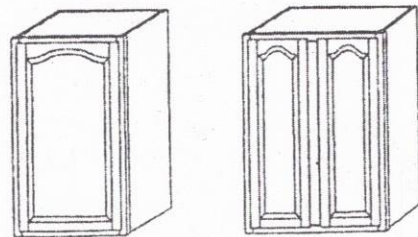
2)



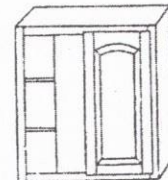
3)



4)



5)

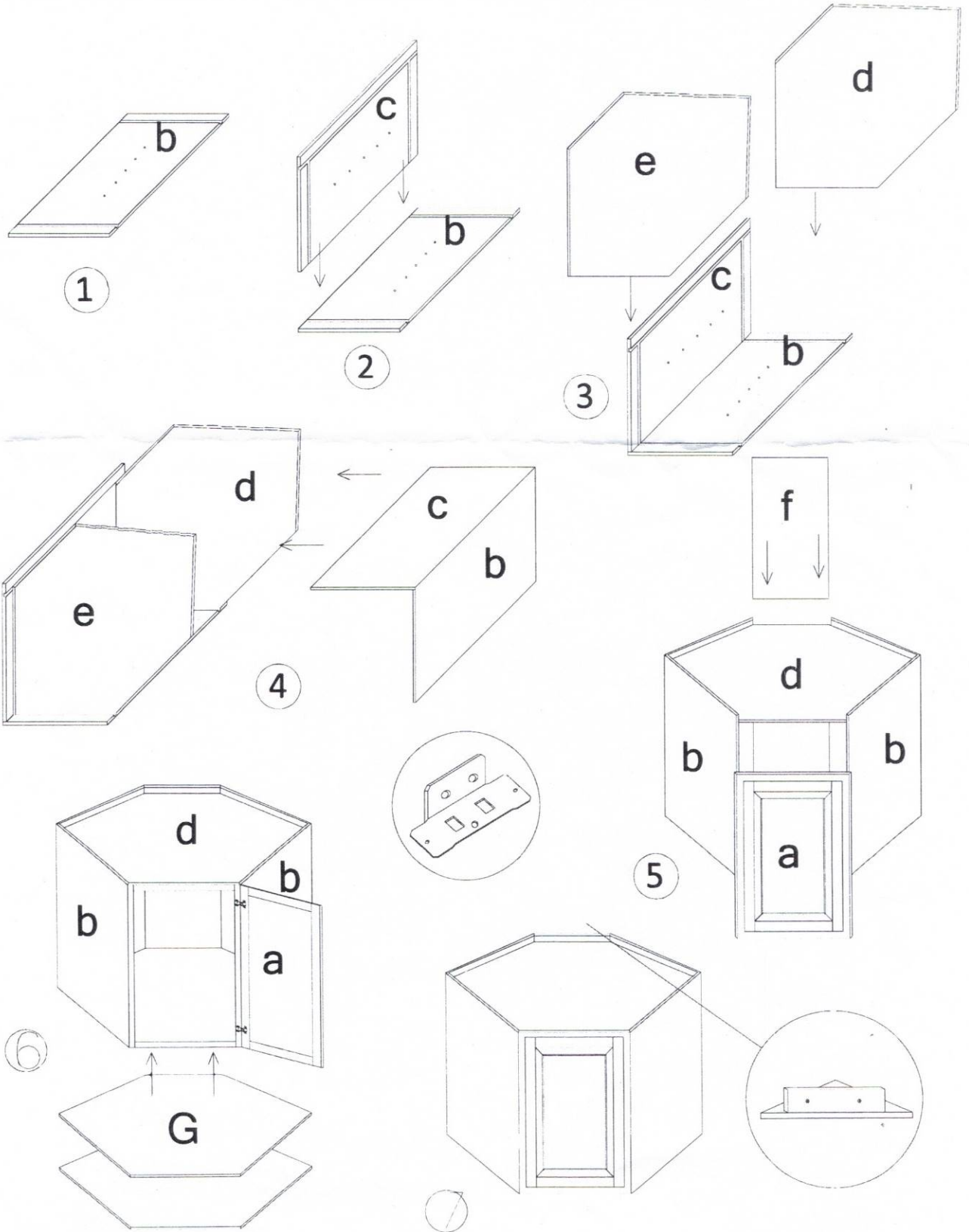


ASSEMBLY INSTRUCTIONS

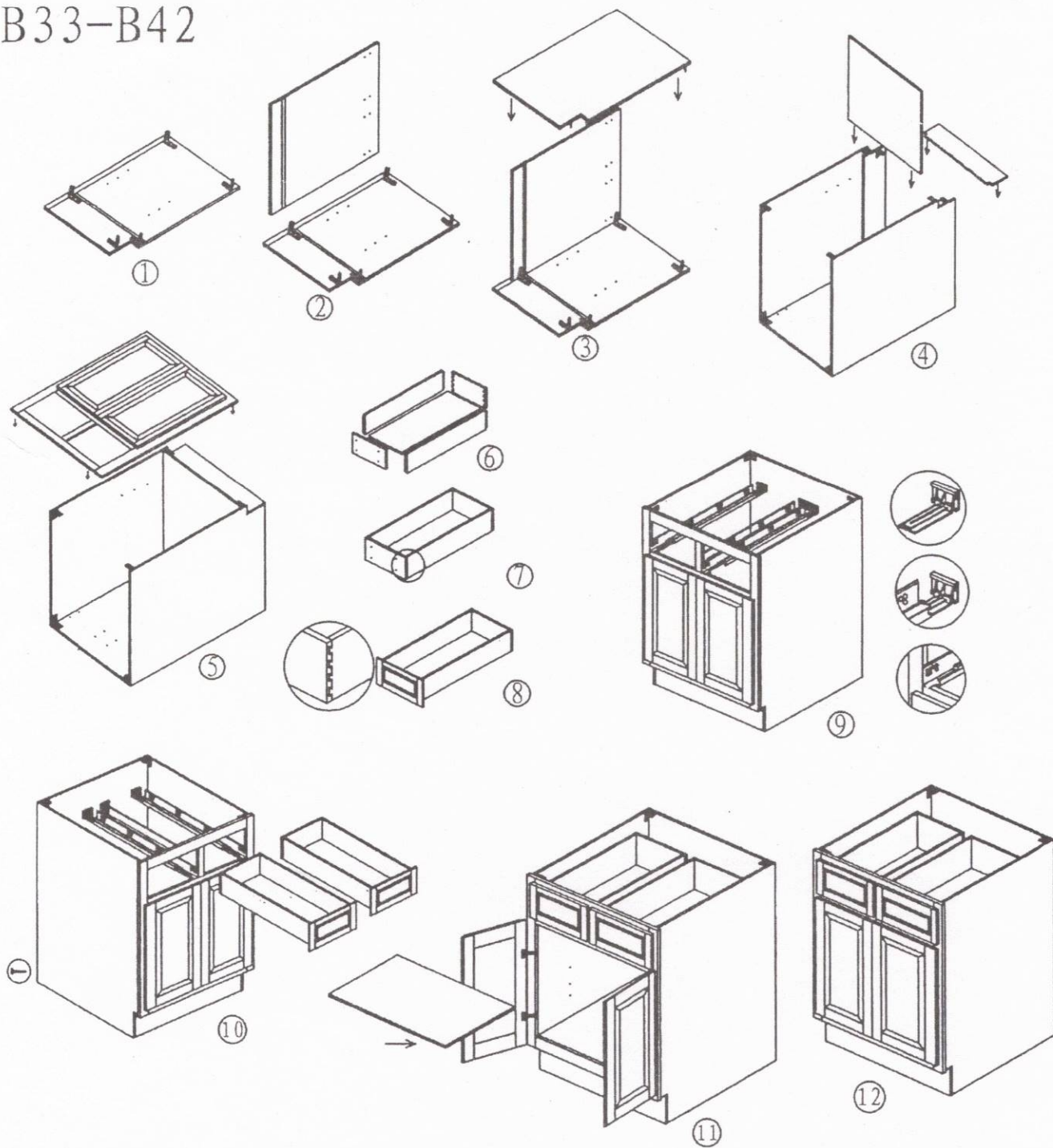
KITCHEN WALL DIAGONAL CORNER CABINETS

PARTS LIST

A - Door & Faceframe(1) B - Front Side Panel's(2) C - Rear Side panel's (2) D-Top(1)
E - Bottom(1) F- Back Panel(1) G- Shelves(2) Two Shelf For Item: WDC2430.WDC2436. Three Shelf For 42"
Height cabinet I - Hardware Box(1): Shelf clips - 8/12 \varnothing 3.5x20 Screw - 2/3, \varnothing 3.5x16 Screw - 4/6, \varnothing 3.5x30 Screw - 4.



B33-B42



DB12-DB36

