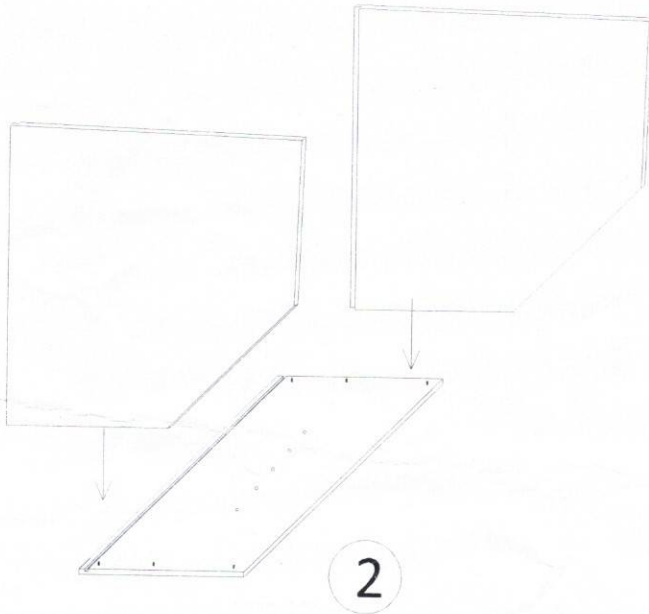
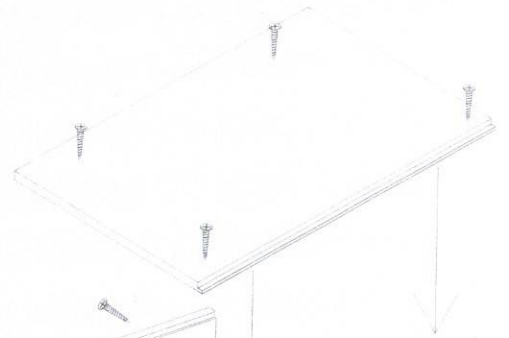
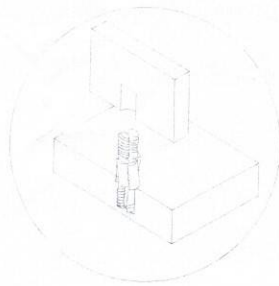
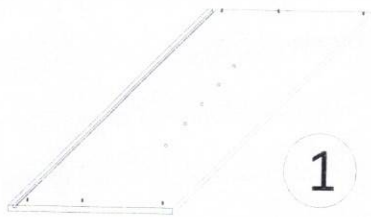


ASSEMBLY INSTRUCTIONS

WDC2430

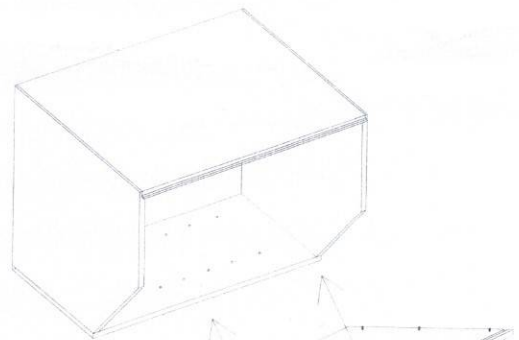
WDC2436

WDC2442

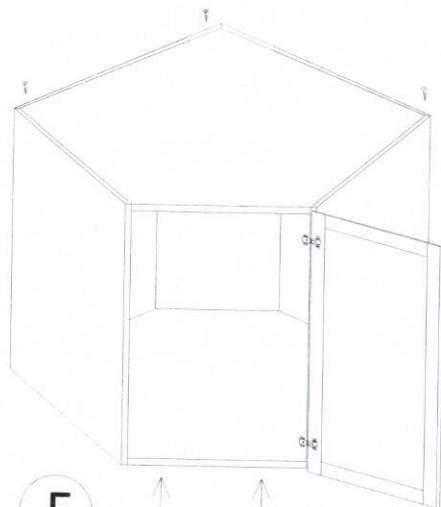


3.5x30 Screw

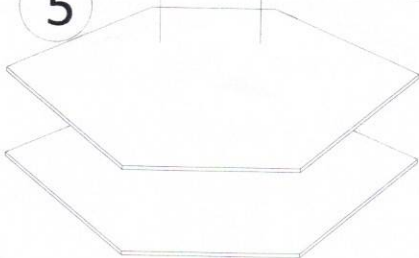
3



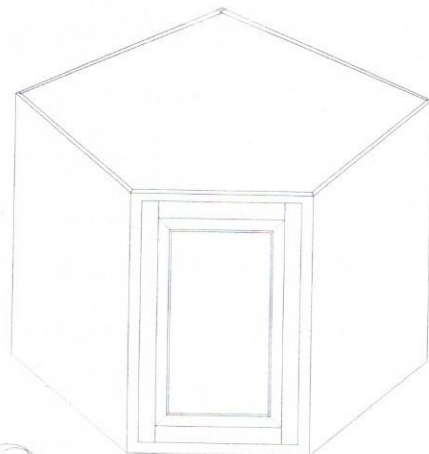
4



5



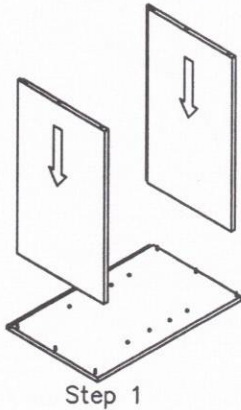
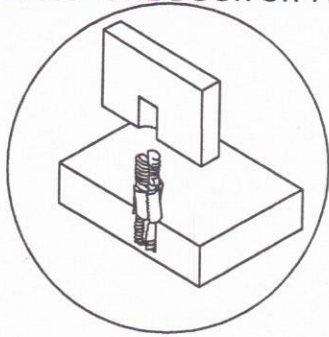
6



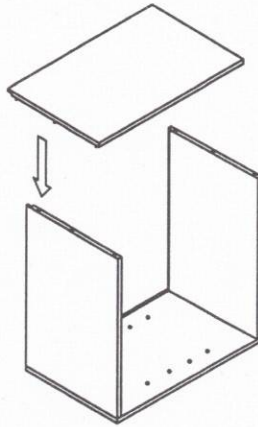
ASSEMBLY INSTRUCTIONS

This instruction applies to the following items:

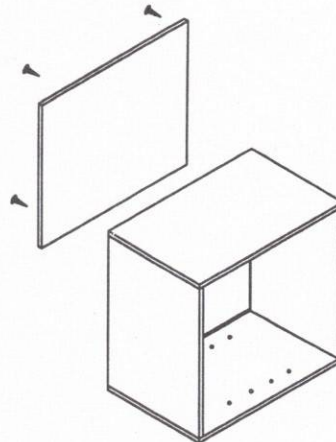
WALL CABINET-ONE DOOR OR TWO DOOR AND NO(ONE&TWO&THREE ADJUSTABLE) SHELF



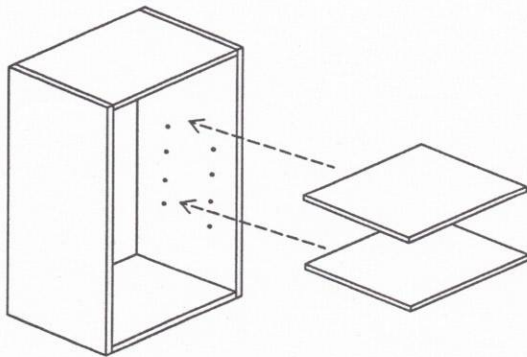
Step 1



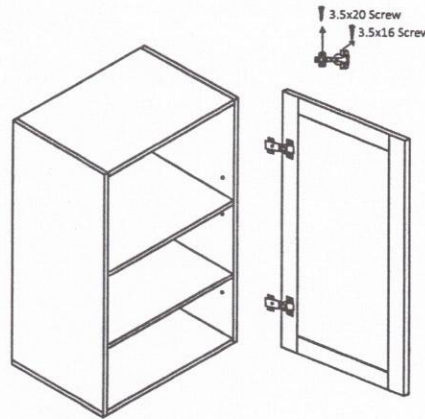
Step 2



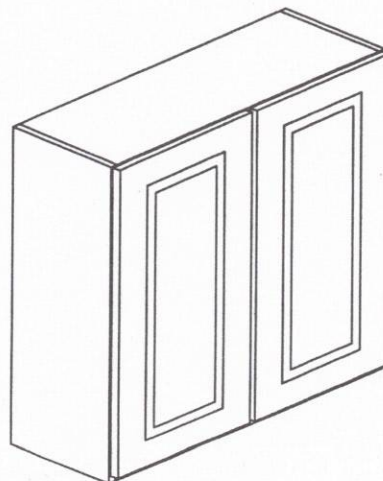
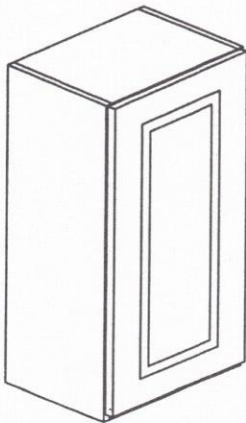
Step 3



Step 4

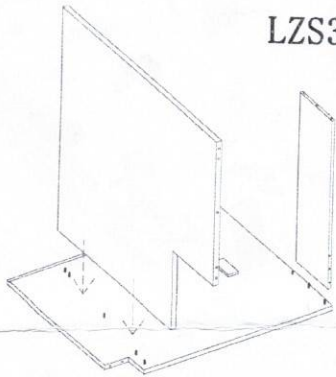


Step 5

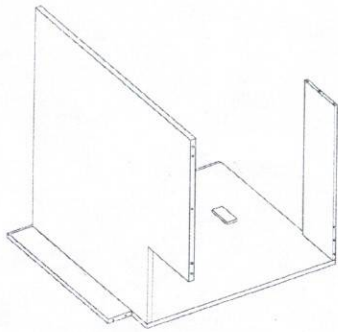
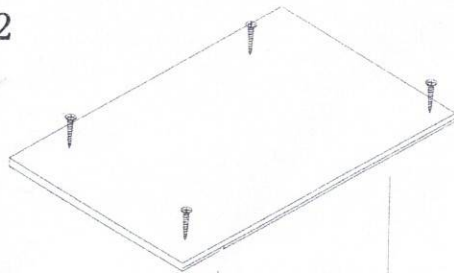


ASSEMBLY INSTRUCTIONS

LZS3309/LZS3612



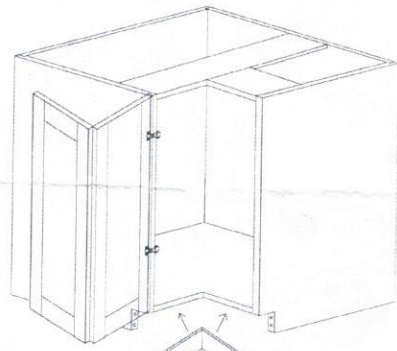
1



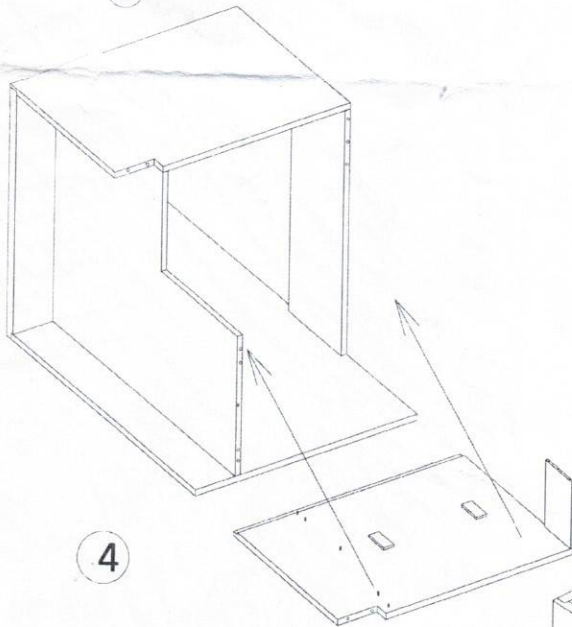
2

3.5x30 Screw

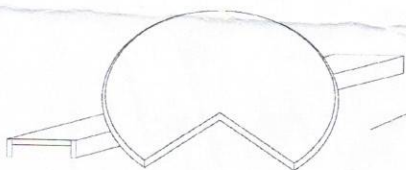
3



4



5

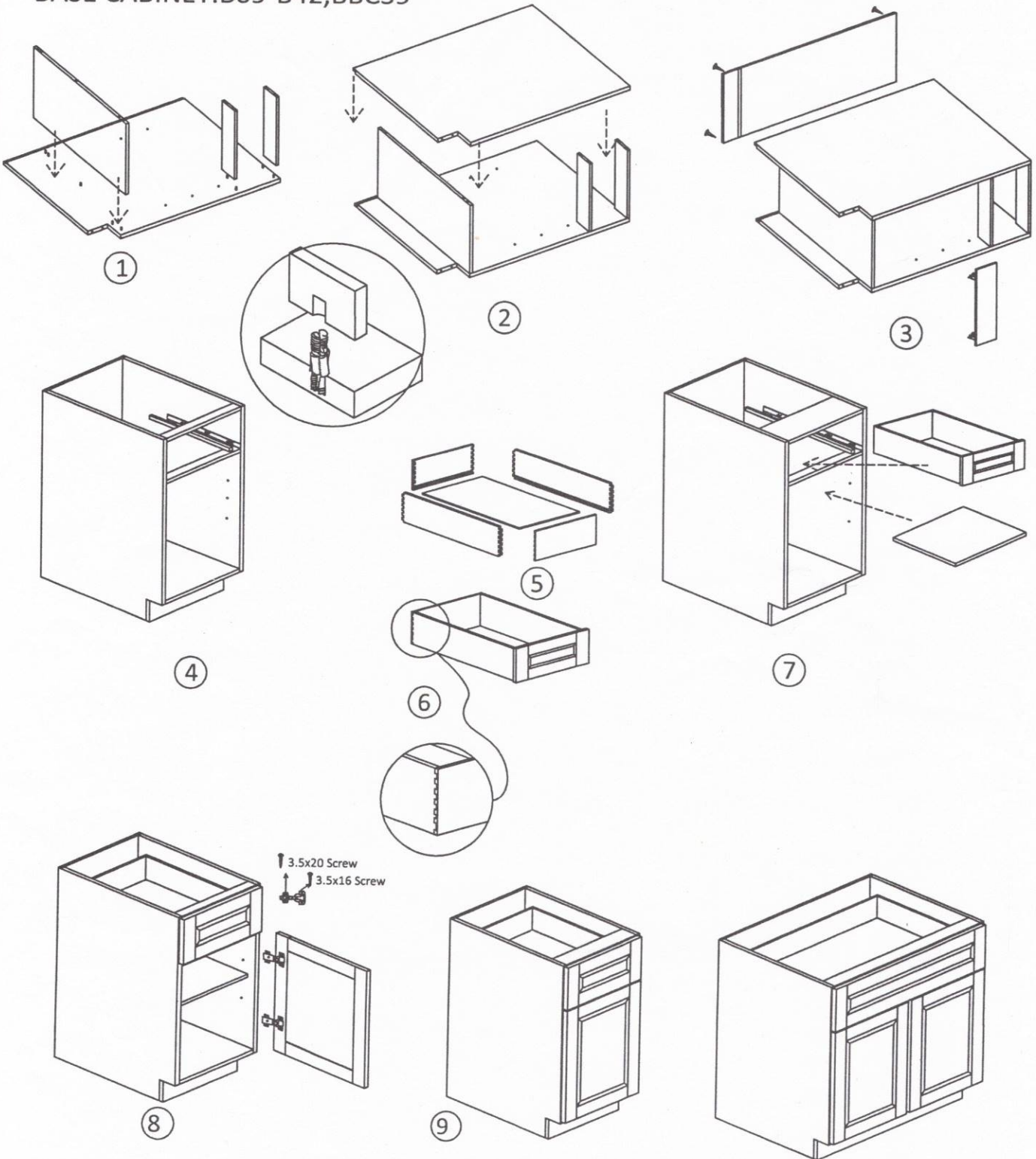


6

由 Airto

ASSEMBLY INSTRUCTIONS

This instruction applies to the following items:
BASE CABINET: B09-B42, BBC39



ASSEMBLY INSTRUCTIONS

This instruction applies to the following items:
BASE CABINET: 3DB09-3DB36, VDB12-VDB24

